



### Choose the right one for your interior

The VAiOS card reader models V15 BINC CL and V15 BINC SQ are special developments of the hardware reader mounting devices in consoles. The development is for use on consoles of a non-standard. Both models cover the technical parameters of the flagship model V15 by having design advantages.

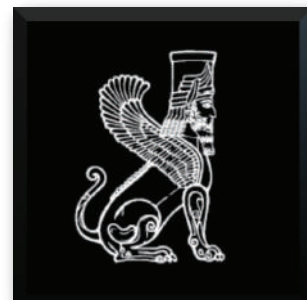
VAiOS BINC CL is round in shape. The size has been tailored to cover any inaccuracies in the screeding around the pre-installed console.

VAiOS BINC SQ has a square shape. Here the design builds on the BINC CL by completing the shape. The square-shaped reader design fits very well in interior solutions where the smart light switches and readers are positioned next to each other or good in a common serial console



Both models of readers have the option to be custom made what color and with a specific desired logo or selection to indicate the reader.

We have developed such model designs for FitnessLine and Argisht Partez Hotel.

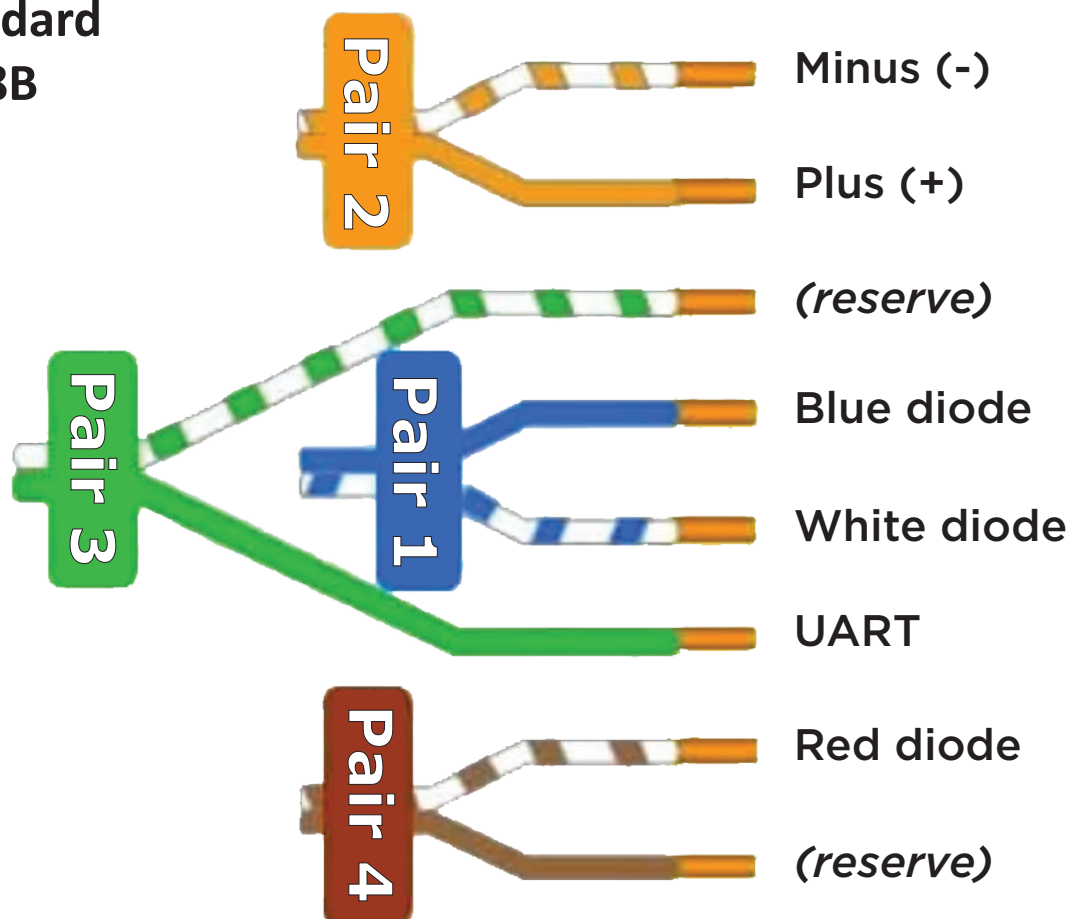




### Technical parameters

VAiOS V15 BINC SQ	Design	VAiOS V15 BINC CL
square shape		round shape
125 kHz	Communication	125 kHz
B / T568B	Crimp standard	B / T568B
5 - 30	Circumference (mm)	5 - 30
12 V	Power Supply	12 V
max. 45 mA	Consumption	max. 45 mA
Yes / three LED color: white, blue, red	Light indication	Yes / three LED color: white, blue, red
IP: 44	Resistance / IP	IP: 44
~ 60-75%	Operating humidity	~ 60-75%
-15°C ~ +60°C	Operating temperature	-15°C ~ +60°C
Indoor installation in console	Installation type	Indoor installation in console
L: 86 / W: 86 / H: 6	Razmeri (mm)	φ75, H:6
Black, White, Beige, Custom	Colour	Black, White, Beige, Custom
6318	Product number	8706

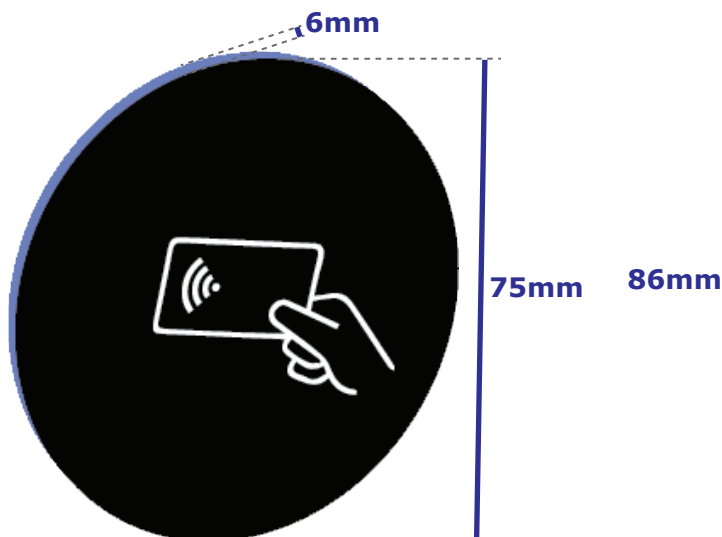
The V15 BINC CL and V15 BINC SQ brushes are crimped to standard B/T568B



## Dimensions

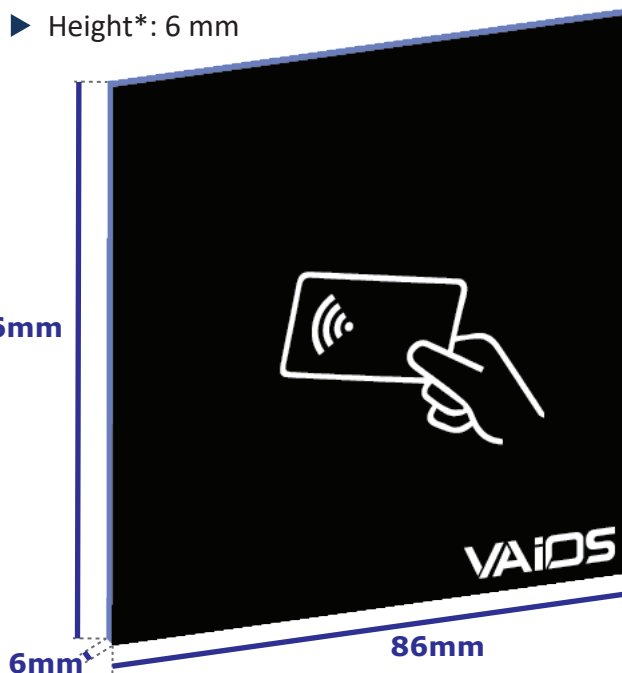
### VAiOS V15 BINC SQ

- ▶ Diameter:  $\phi 75$  mm
- ▶ Height\*: 6 mm



### VAiOS V15 BINC CL

- ▶ Length: 86 mm
- ▶ Width: 86 mm
- ▶ Height\*: 6 mm



\* This is the thickness of the reader at the base of the wall.

## Installation in the console, German standard

BINC series card readers are mounted in mounting brackets, German standard. The models have been designed with the aim that the board fits with sufficient advance in the bracket to avoid difficulties and potential problems during installation.

- ▶ 32mm -  $\phi 32$  is the diameter of the circuit board.
- ▶ Between 20-25mm - depth of the pattern.
- ▶ 6mm - fullness (thickness) of the pattern in relation to the wall.
- ▶ 75mm - width (diameter) of the BINC CL.
- ▶ 70mm - width (diameter) of the bracket.
- ▶ 50mm - console depth.

