

### Design product with high resistance (IP)

The VAiOS V15 TM-R and TM-RK are VAiOS card reader models that combine rugged housing and custom design. While the VAiOS V15 provides high levels of protection and ruggedness (IP:65) and the BINCS series models provide the option of a custom logo design, the VAiOS V15 TM series combines these functionalities into a common hardware design.



### Two models and both innovative

VAiOS V15 TM-R is a card reader model that combines the functionalities of sustainability and custom design it, as well as the model with the keypad can be modified both by the look of the logo and by the diode sub-branches that are integrated in the development.

VAiOS V15 TM-RK is the version of the model with integrated keyboard. The model has all the features. To all this, the placement of the digits circularly and the touch-sensitive code dialing additional luxury class of the development and the interior where they are installed.

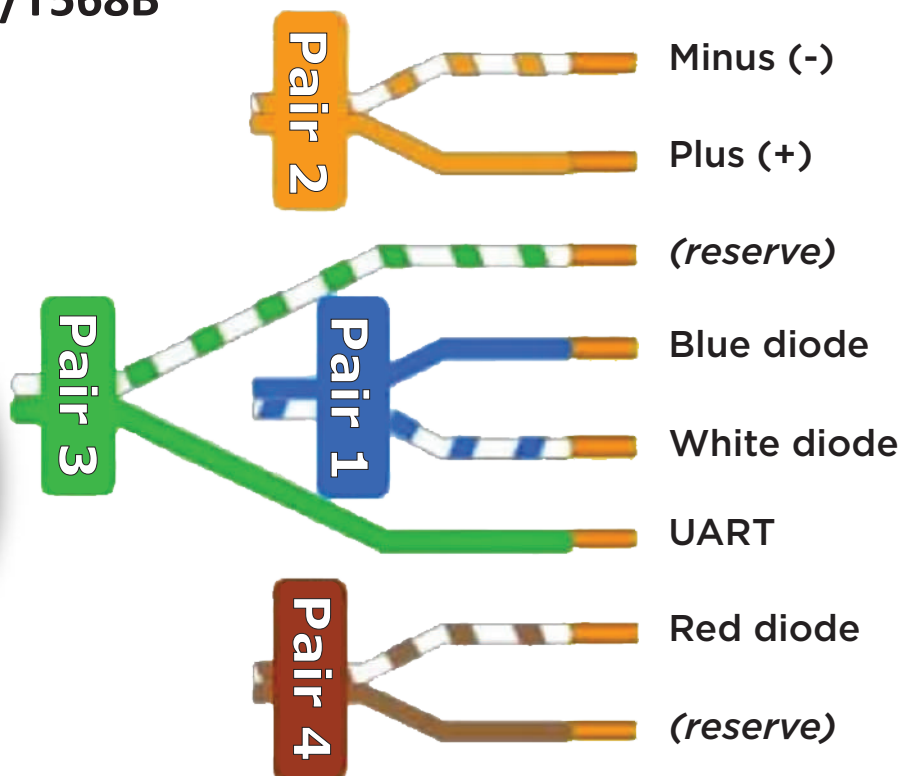




### Technical parameters

VAiOS V15 TM-R		VAiOS V15 TM-RK	
Card reader	Type	Card reader + keyboard	
125 kHz	Communication	125 kHz	
B / T568B	Crimp standard	B / T568B	
5 - 30	Circumference (mm)	5 - 30	
12 V	Power supply	12 V	
max. 45 mA	Consumption	max. 45 mA	
Yes / basic LED colours: white, blue, red + custom	Light indication	Yes / basic LED colours: white, blue, red + custom	
IP: 65	Resistance / IP	IP: 65	
~ 90%	Operating humidity	~ 90%	
-15°C ~ +60°C	Operating temperature	-15°C ~ +60°C	
Surface mounting, outdoor	Installation type	Surface mounting, outdoor	
φ90 / H: 19	Dimensions (mm)	φ90 / H: 19	
340,2	Weight (grams)	340,2	
Grey, silver	Colour / corpus	Grey, silver	
Black, Custom	Colour / work surface	Black, Custom	
3394	Product number	3276	

VAiOS V15 TM-R and TM-RK are crimped according to standard B/T568B



## Dimensions

For both TM-R and TM-RK models, the dimensions and spacing are identical:

- ▶ Length: 90 mm
- ▶ Width: 90 mm
- ▶ Height\*: 6 mm
- ▶ Mounting hole spacing: 60 mm each (equal for both directions)



## Developments of the models we custom-made for MOFA (Ministry of Foreign Affairs of Saudi Arabia)

We developed the VAIOS V15 TM-R and TM-RK models for the Saudi Embassy sites in Uganda and Nigeria. In the pictures in the different figures you can get an idea of the products as a final result.

