

The three-arm rotary turnstile is a device that is a cost-effective and efficient solution for building access control systems. The body of the turnstile is made of stainless steel, which allows it to be installed both indoors and outdoors, exposed to the weather. The three-arm turnstile is developed in two designs, according to the selected functionalities. And there is also a model with double-sided arms.

## TECHNICAL SPECIFICATIONS

*Body:* 1,5mm Galvanized steel sheet electrostatic powder oven paint

*Arms:* Aluminum Anodized and Thermic

*Operation:* Adjustable in both directions, manual driving.

*Functions:* Transition information (A-B 5VDC and B-A 5VDC).

Transition time can be adjusted.

Memory mode.

Audible warning.

Adjustable transition direction.

*Emergency situation:* Fire alarm system turns the arms to idle (NC)

*Power Supply:* 100 – 230 VAC, 47-60 Hz

*Power Consumption:* 3,7W in transitions,  
4W on hold

*Operating Temperature:* -10 C / +70 C

Optional: With heater -30°

*Passage Speed:* Max. 26 People / Minutes + –

*Passage Weight:* 45cm -50 cm

*Led Display:* Standard in both directions

*Weight:* Weight: ~ 24 kg

*Security Level:* Deterrent.

*Areas of Use:* Suitable for indoor and outdoor use.

*Options:* Upper glass cover (Visual Print),

Reader apparatus,

Pushbutton unit,

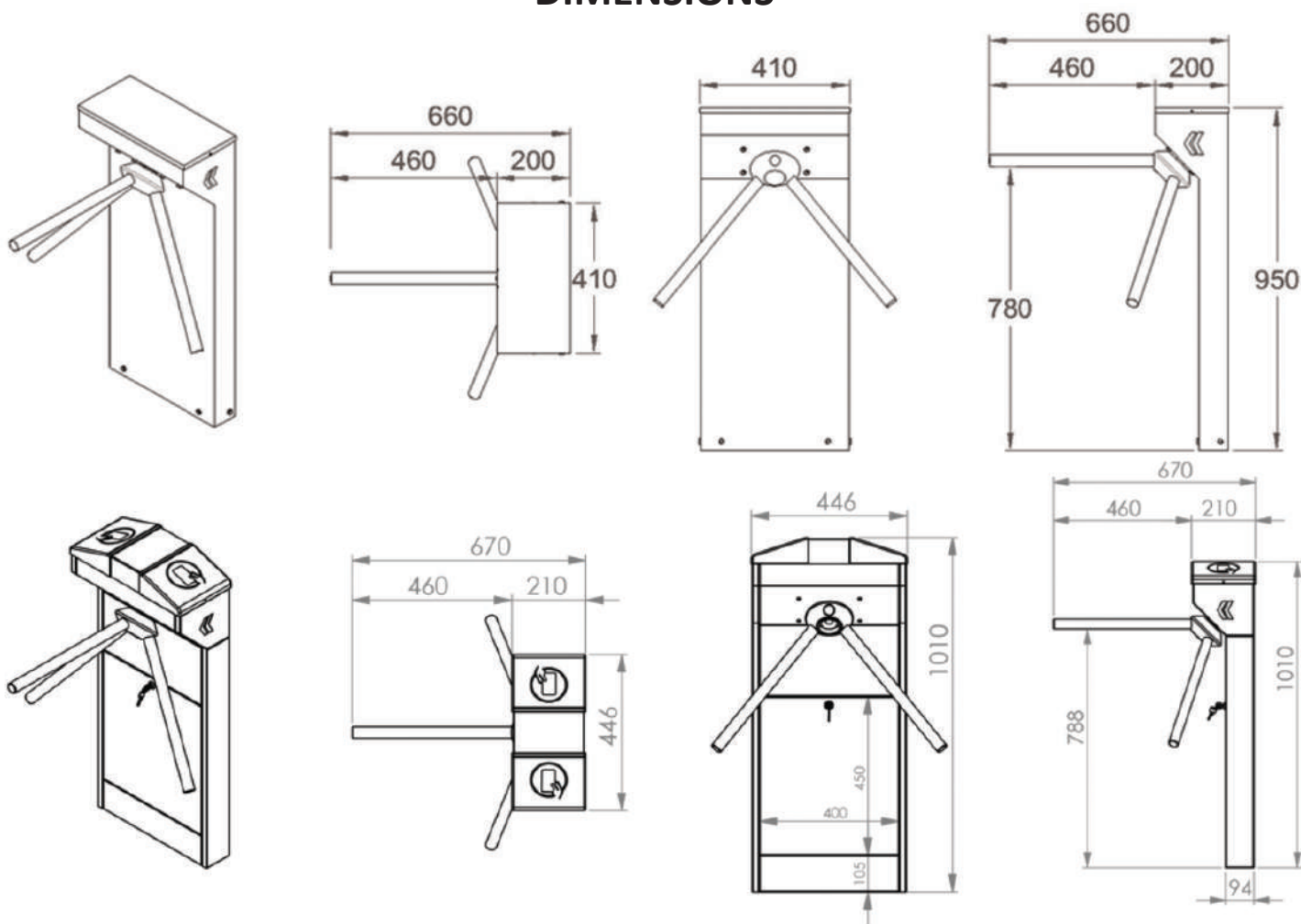
Remote Control,

Angled Cover,

Choice of colour.



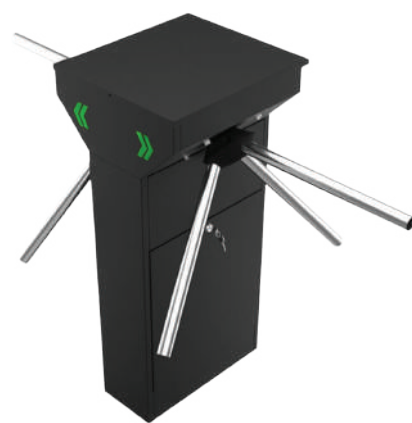
### DIMENSIONS



### BILATERAL ROTARY TURNSTILE RTV-110D SST



Identical in technical features to the single-sided rotary turnstile, the RTV-110D SST also features identical control options and functionality.



### DIMENSIONS

